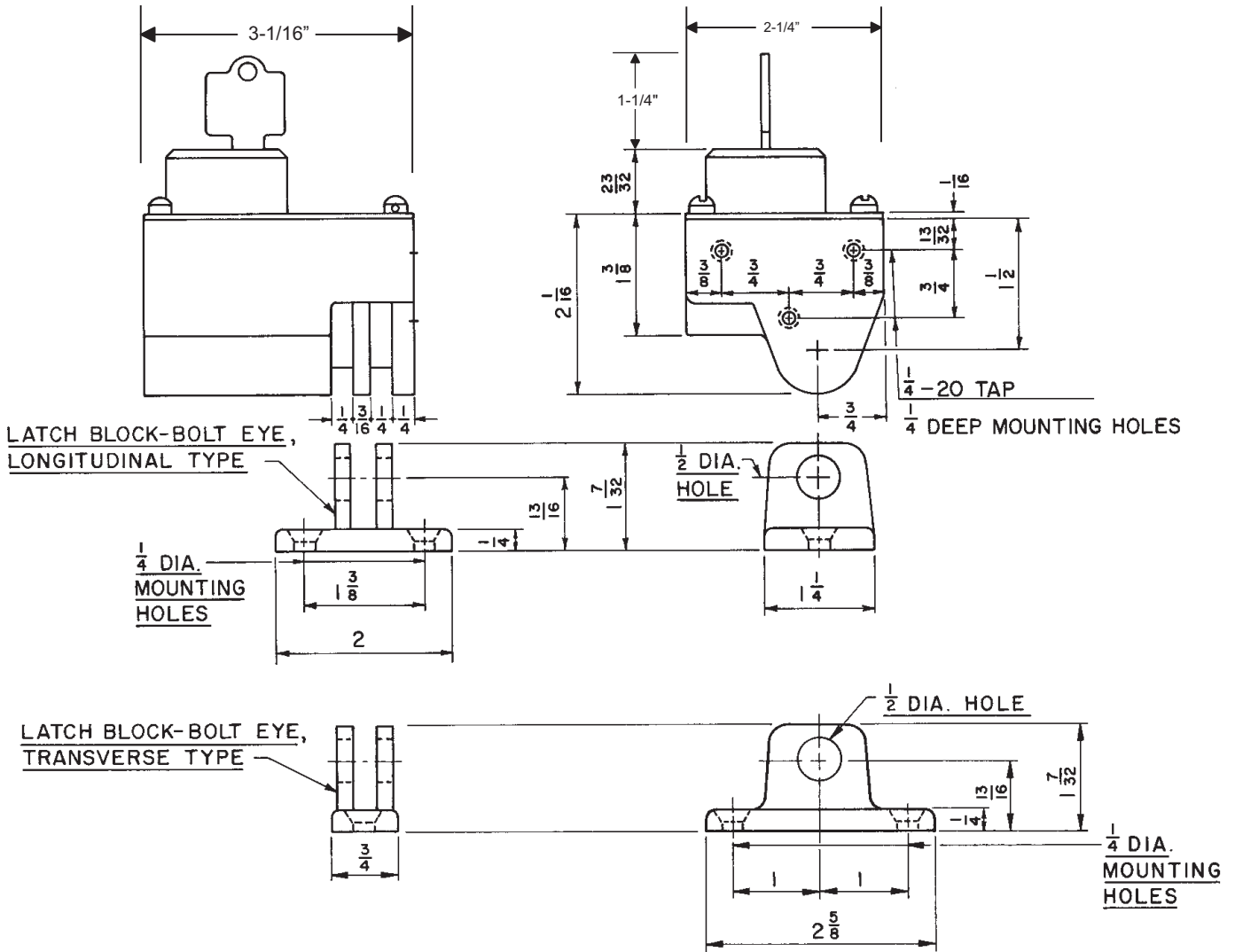




# Type DY1 - Sub-Panel Mounted

Kirk Key Interlock Company  
 211 Wetmore Ave. S.E., Massillon, OH 44646  
 Phone: 330.833.8223 • Fax: 330.833.1528  
 Toll Free: 1.800.438.2442

[www.kirkkey.com](http://www.kirkkey.com)



LOCK TYPE	FURNISHED WITH LATCH BLOCK-BOLT EYE
DY-1	NONE
DY-1A	LONGITUDINAL TYPE
DY-1B	TRANSVERSE TYPE

\* All Dimensions shown in inches.