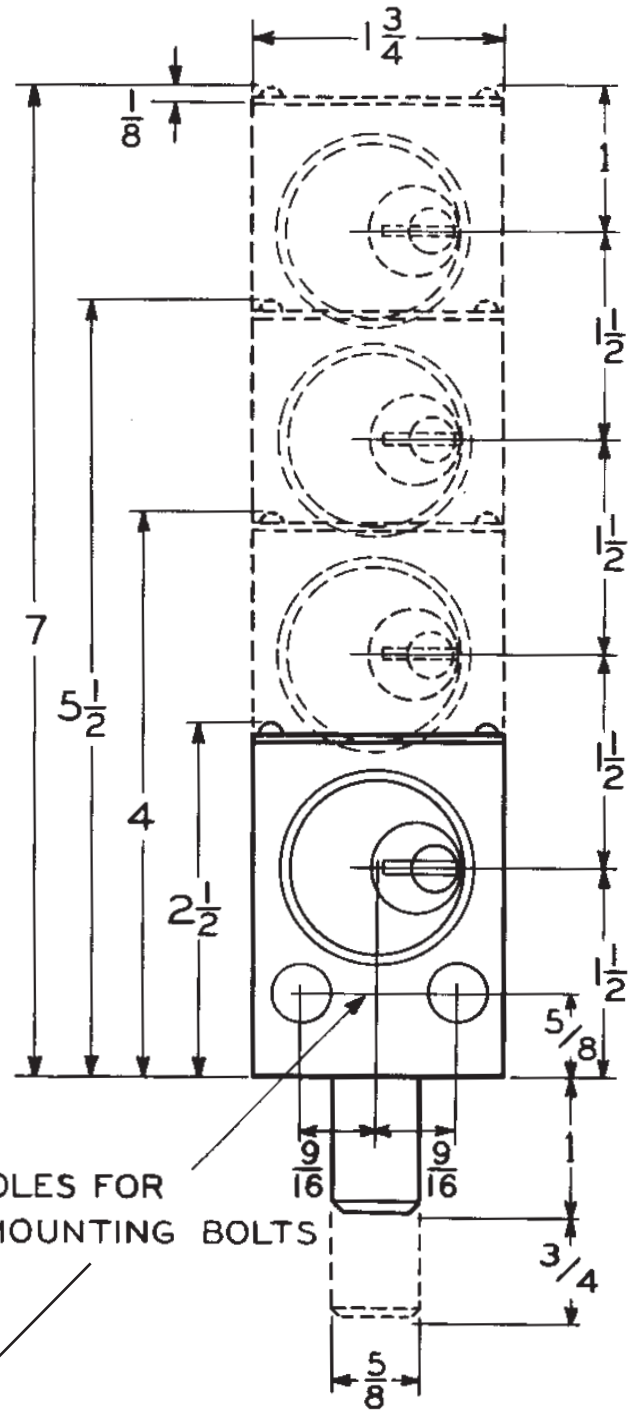
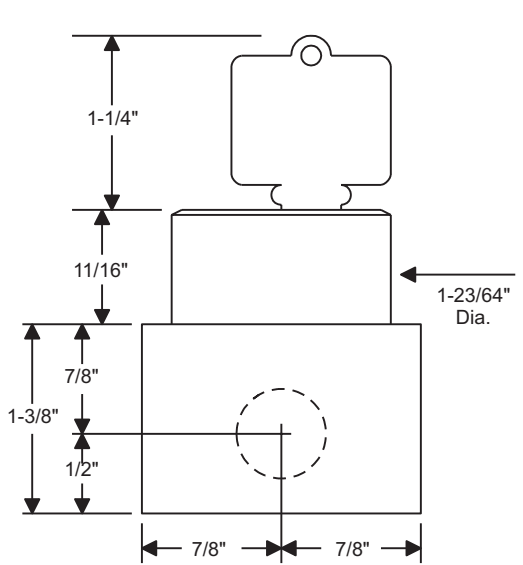




Type F - Flat Mounted

Kirk Key Interlock Company
 211 Wetmore Ave. S.E., Massillon, OH 44646
 Phone: 330.833.8223 • Fax: 330.833.1528
 Toll Free: 1.800.438.2442

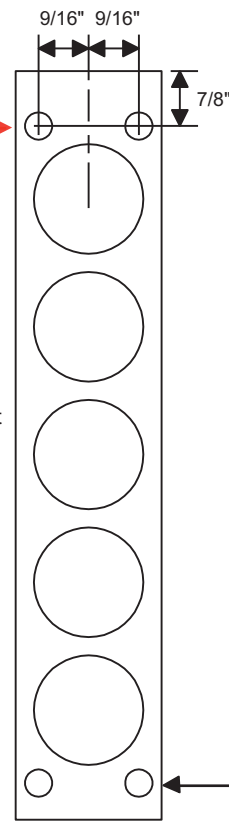
www.kirkkey.com



NOTE:
 MOUNTING HOLES
 FOR LOCKS WITH
 5 OR MORE
 CYLINDERS

Type F interlocks with five or more cylinders will have mounting holes at each end of the interlock. The rear mounting holes are 7/8" from the end.

The total length of the five cylinder Type F interlock is 9-1/2". Add 1-1/2" for every additional cylinder.



* All Dimensions shown in inches.