

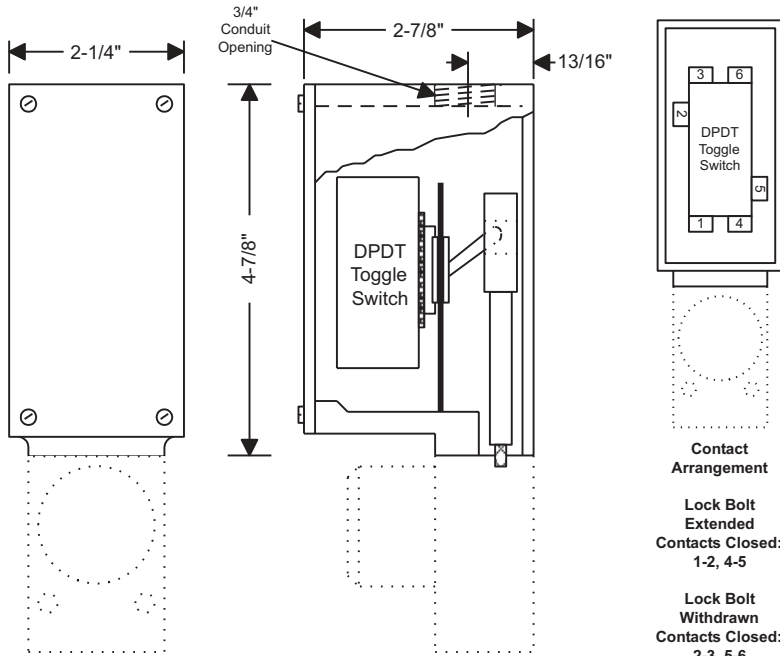
SPECIFICATION DATA SHEET 2.4

Type K Auxiliary Switch



Type K Switch shown mounted on Type B Interlock

SPECIFICATIONS*:



Type K Switch

The type K auxiliary switch is a quick-make, quick-break device capable of handling relatively large currents. The switch is mounted on the end of the interlock as shown.

The type K auxiliary switch can be mounted on the following interlocks:

- Type F (see Data Sheet 1.1)
- Type B (see Data Sheet 1.2)
- Type D (see Data Sheet 1.4)
- Type T (see Data Sheet 1.5)

The switch assembly typically uses an extra heavy-duty toggle switch. The DPDT switch is UL and CSA recognized and rated 10A 250VAC or VDC, or 5A 125VAC or VDC.

The toggle switch is operated in response to the movement of the interlock locking bolt. However, the type K switch remains in its initial position until the locking bolt has traveled substantially the full $\frac{3}{4}$ " distance to its second position. Therefore, the type K auxiliary switch does not give an indication as to the initial movement of the locking bolt.

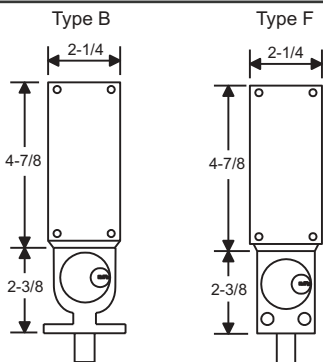
To order the K Switch option, put the number "4" in column four of the interlock part number. Reference the Interlock Ordering Guide.

The switch is normally mounted with the cover on the same side as the lock cylinder. If necessary, the switch can be mounted so that the switch cover is facing backwards (or "Reversed"), allowing access to the switch for an interlock that is mounted on the back of a panel, for example. To order the "Reverse Switch Housing" option, put the letter "R" in column fifteen of the part number. Reference the Interlock Ordering Guide. Unless specified, the switch housing will be mounted in the normal arrangement.

The switch housing is made of aluminum. Note: Auxiliary switches cannot be field installed on existing Kirk Interlocks.

Kirk Key Interlock Company

211 Wetmore Ave. S.E., Massillon, OH 44646
 Phone: 330.833.8223 • Fax: 330.833.1528
 Toll Free: 1.800.438.2442



* All Dimensions shown in inches.

