

# SPECIFICATION DATA SHEET 2.2

## TDKRU - Time Delay Key Release Unit

TDKRU - With Cover Plate Only



TDKRU - Housed

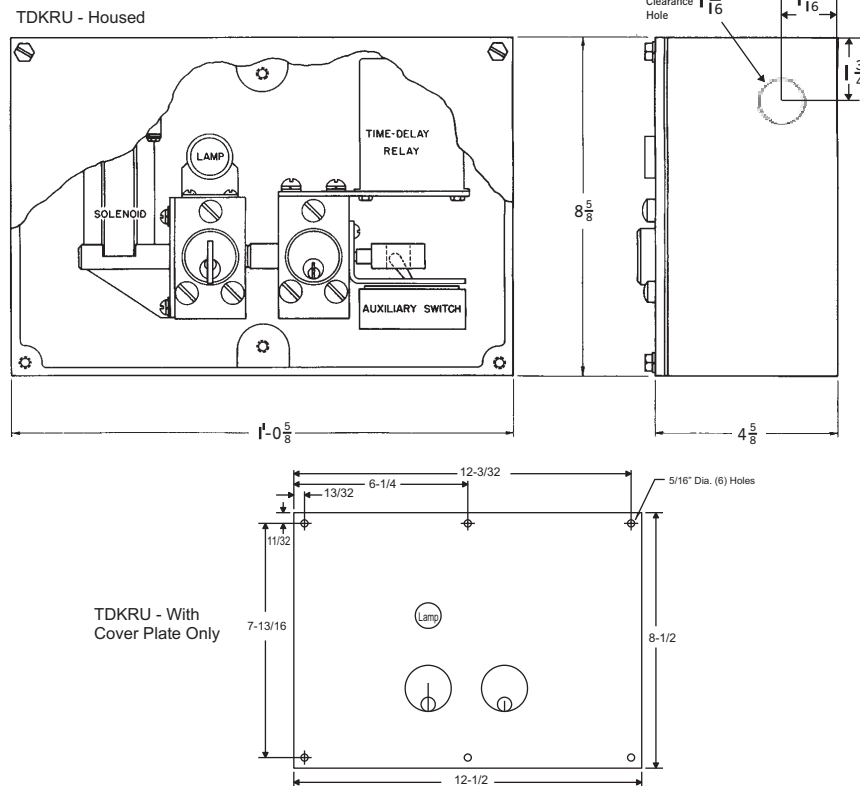
### Type TDKRU Interlock

The TDKRU is designed to permit removal of the initially held (or secondary) interlock key after insertion of a primary key and the elapse of a predetermined time delay. The TDKRU is comprised of two key interlocks, a timing device, a solenoid, and a signal light for indication.

The photograph illustrates the TDKRU in the normal position - a key is retained in the secondary interlock. A primary or initiating key is introduced to start the time delay. After a predetermined delay, the solenoid is energized (the signal lamp illuminates to indicate the energized state) - permitting the secondary key to be rotated and withdrawn for further steps in the overall interlock scheme. After removing the secondary key, the primary key is retained in the TDKRU.

Should the primary key be rotated and removed during the time delay period, the timing device instantly returns to its original position.

### SPECIFICATIONS\*:



### OPTIONS:

- **Mounting Options** - Available housed in an Aluminum Enclosure or unhoused with Cover Plate only.
- **Timing Device** - The time delay can be any length of time from 1 second to 30 minutes. Note: The duration of the time delay must be set by the customer during installation of the TDKRU. Two timers are available; 1) 1-300 seconds, 2) 3-30 minutes. The correct timer must be specified at the time of order.
- **Voltage** - 120VAC, 24VDC or 125VDC.
- **Stamp Key Interchange** - Specify an alphanumeric code to be stamped on the cylinder face and the key (e.g. A1, A2, B1, etc.). See Data Sheets 3.4 and 4.1 for details.
- **Dust Covers** - See Data Sheet 3.1 for details.

Kirk Key Interlock Company

211 Wetmore Ave. S.E., Massillon, OH 44646  
Phone: 330.833.8223 • Fax: 330.833.1528

Toll Free: 1.800.438.2442

\* All Dimensions shown in inches.