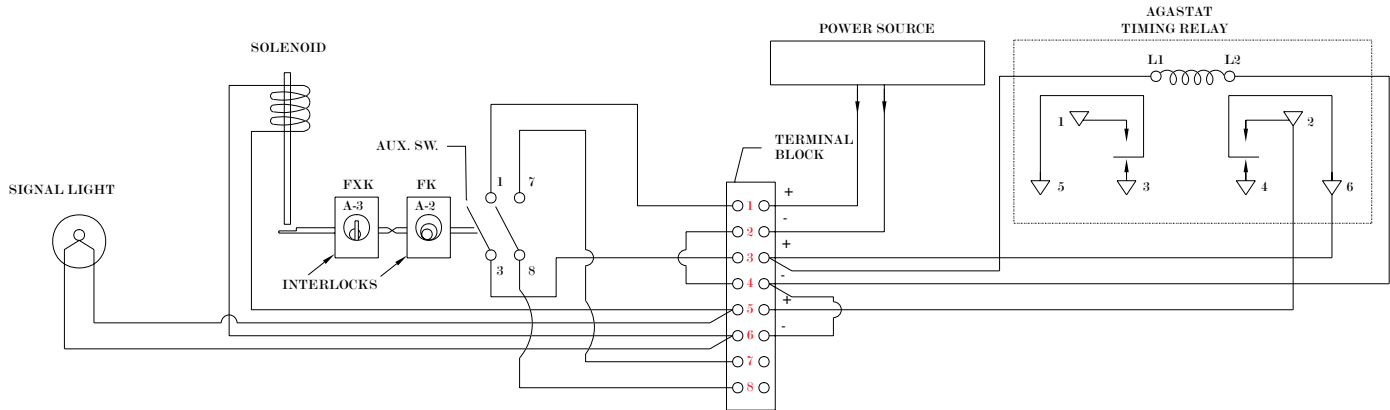




TDKRU Wiring Diagram

Kirk Key Interlock Company
 211 Wetmore Ave. S.E., Massillon, OH 44646
 Phone: 330.833.8223 • Fax: 330.833.1528
 Toll Free: 1.800.438.2442

www.kirkkey.com



WIRING DIAGRAM

NORMAL OPERATING CONDITIONS

1. KEY A-2 IS OUT OF INTERLOCK
2. KEY A-3 IS HELD IN INTERLOCK
3. AUXILIARY SWITCH IS OPEN
4. SIGNAL LIGHT IS DE-ENERGIZED
5. SOLENOID IS DE-ENERGIZED
6. TIME DELAY RELAY IS DE-ENERGIZED

OPERATING SEQUENCE

1. INSERT KEY A-2 IN INITIATING LOCK IN TIME DELAY KEY RELEASE UNIT AND TURN TO START TIMING MECHANISM. KEY A-2 IS NOW HELD.
2. AFTER A PREDETERMINED TIME DELAY INTERVAL, THE TIME DELAY RELAY CLOSSES THE CIRCUIT TO THE SOLENOID AND SIGNAL LIGHT.
3. SIGNAL LIGHT IS ENERGIZED.
4. SOLENOID IS ENERGIZED AND PLUNGER IS WITHDRAWN PERMITTING OPERATION OF INTERLOCK.
5. TURN INTERLOCK KEY A-3 KEY CAN NOW BE REMOVED FROM THE UNIT TO PROCEED WITH THE OPERATING SEQUENCE.

REVERSE SEQUENCE TO RESTORE TIME DELAY KEY RELEASE UNIT TO NORMAL OPERATING CONDITIONS.

THE TIMING MECHANISM MUST BE ENERGIZED DURING THE ENTIRE OPERATING CYCLE. IN THE EVENT OF A POWER FAILURE DURING THE TIME DELAY PERIOD, THE TIMING DEVICE INSTANTLY RETURNS TO ITS ORIGINAL POSITION.

NOTE: THE TIMING RANGE MUST BE SET BY THE CUSTOMER AT THE TIME OF INSTALLATION.

					KIRK Key Interlock Co.								
					211 Wetmore S.E. - Massillon, OH 44646								
		2	REDRAWN	C.T.A.	9/25/01	MATERIAL	-	DRAWN	C.T.A.	DATE	9/25/01		
		1				SCALE	1/1	WEIGHT	.	CHECKED	.	DATE	.
ECN	REV	DESCRIPTION			BY	DATE	SHEET 1 OF 1		APPROVED	.	DATE	.	
UNLESS SPECIFIED OTHERWISE			THE INFORMATION HEREON IS THE SOLE PROPERTY OF KIRKEY® INTERLOCK CO. WITHOUT WRITTEN PERMISSION, ANY COPYING, TRANSMITTAL TO OTHERS, AND ANY USE EXCEPT THAT FOR WHICH IT IS LOANED, IS PROHIBITED.										
BREAK ALL CORNERS													
WHOLE NUMBERS ±0.01 ONE PLACE DECIMAL ±0.01 TWO PLACE DECIMAL ±0.01 ANGULAR DIMENSIONS ±2°ANGULAR DIMENSIONS *			DRAWING TITLE WIRING DIAGRAM AND OPERATING SEQUENCE										
REFERENCE									DRAWING NO.	235-162	REV.	2	