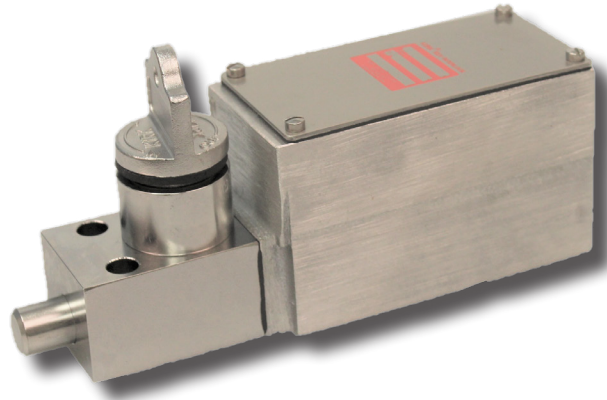




# SPECIFICATION DATA SHEET

## TYPE K (DP/DT) - AUXILIARY SWITCH

WWW.KIRKKEY.COM



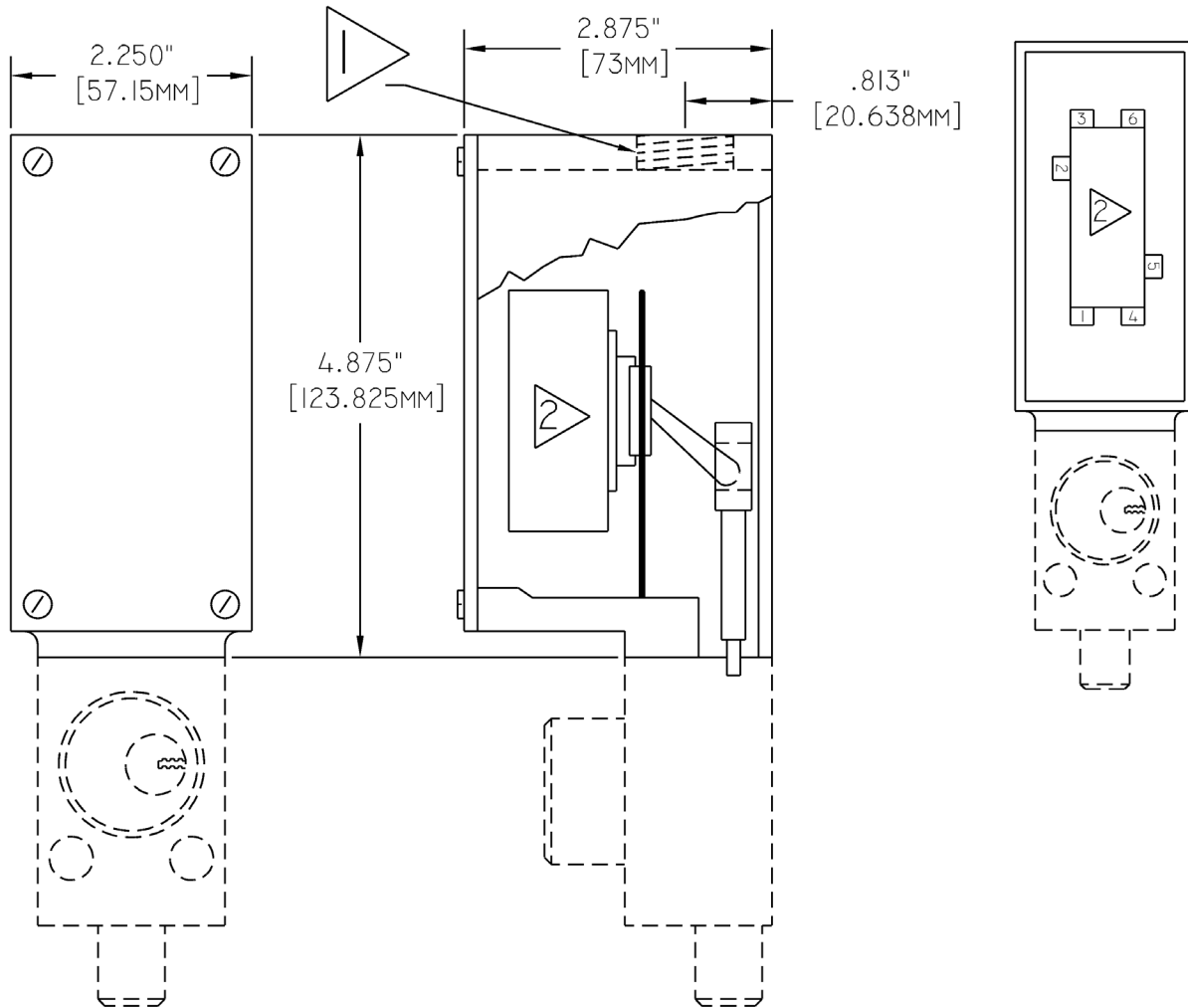
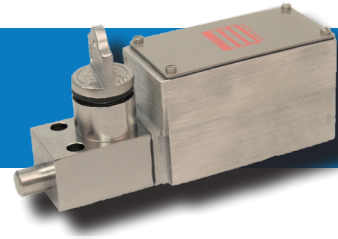
NOTE: The Type K Switch is shown on the HD Series Type F Interlock

The Type K auxiliary switch is a quick-make, quick-break device capable of handling relatively large currents. The toggle switch is operated in response to the movement of the interlock locking bolt. However, the Type K switch remains in its initial position until the locking bolt has traveled substantially the full 3/4" distance to its second position. Therefore, the Type K auxiliary switch does not give an indication as to the initial movement of the locking bolt. The Type K is a DP/DT switch with ratings of 10A 250VAC/VDC or 15A 125VAC/VDC and is UL Listed and CSA approved. The switch housing is made of aluminum.

The Type K auxiliary switch can be mounted on both the SD and HD Series of the following interlocks: Type F, Type B, Type T, Type D.

The switch is normally mounted with the cover on the same side as the lock cylinder. If necessary, the switch can be mounted so that the switch cover is facing backwards (or "Reversed"), allowing access to the switch for an interlock that is mounted on the back of a panel, for example. To order the "Reverse Switch Housing" option, put the letter "R" in the appropriate column of the part number. Reference the Interlock Ordering Guide. Unless specified, the switch housing will be mounted in the normal arrangement.

# TYPE K SWITCH DRAWING



## NOTES:

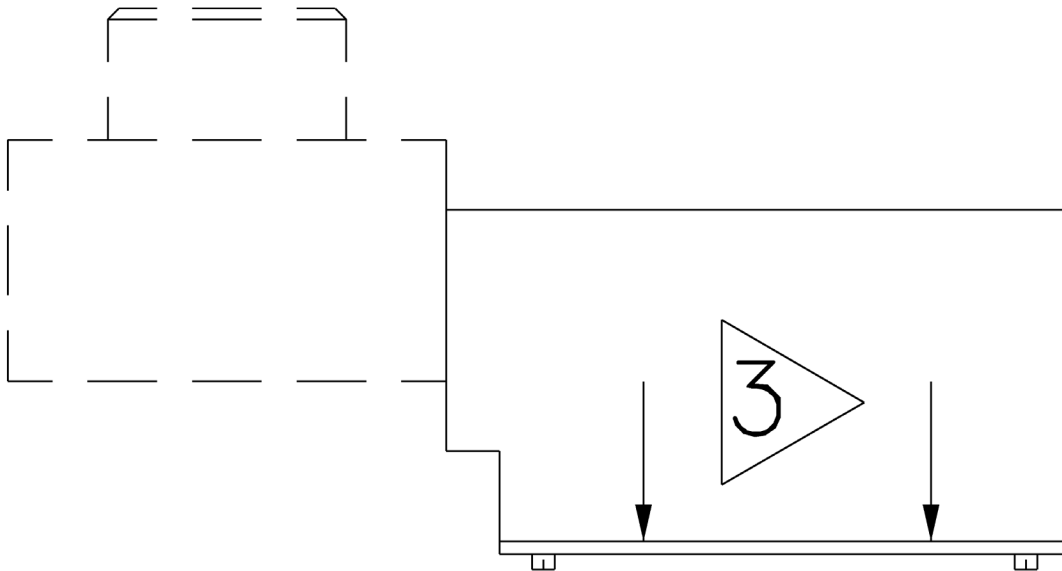
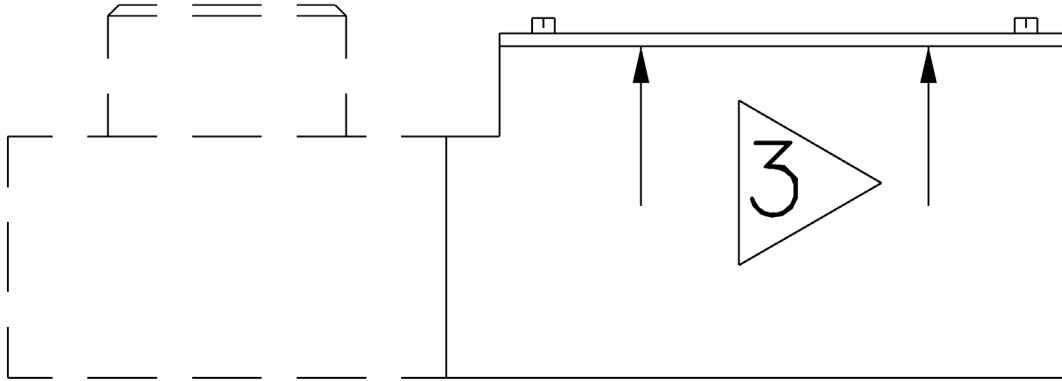
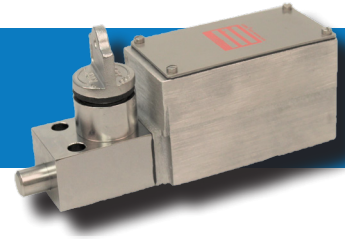
- 1) 3/4" conduit opening.
- 2) DPDT toggle switch.

- Drawing shown includes K Switch Mounted on SD Series Type F Interlock.

## CONTACT ARRANGEMENT:

- Lock Bolt Extended Contacts Closed: 1-2, 4-5
- Lock Bolt Withdrawn Contacts Closed: 2-3, 5-6

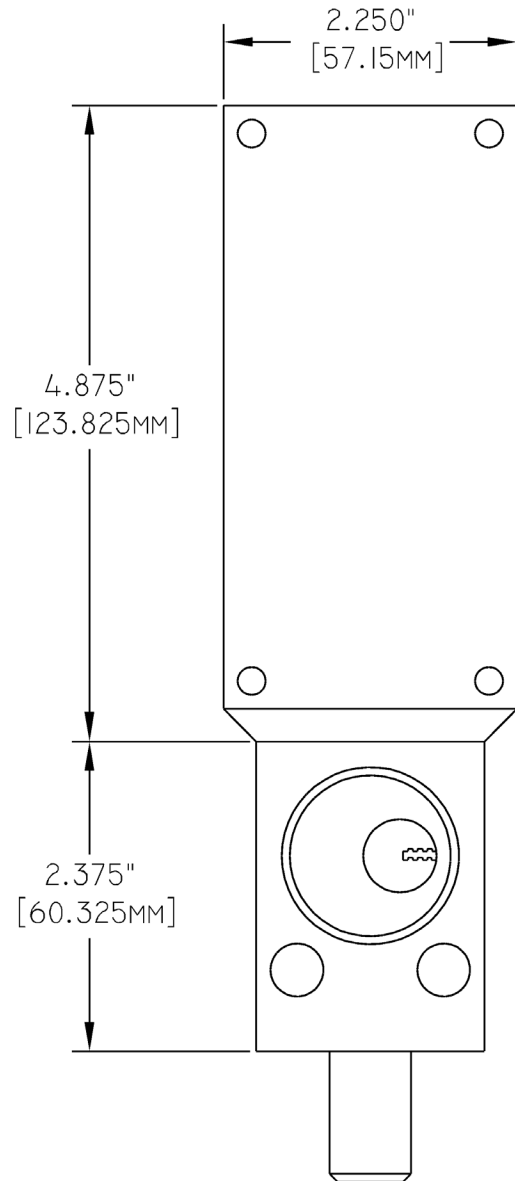
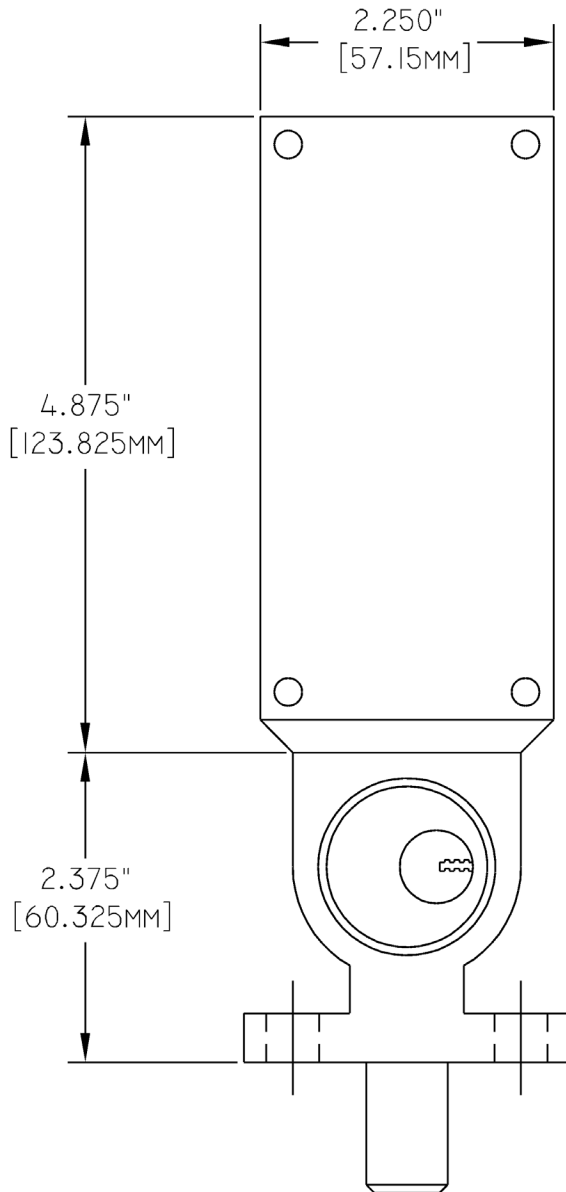
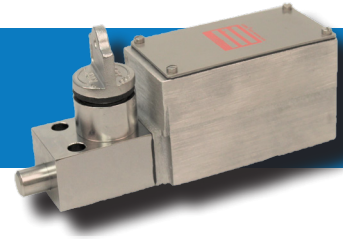
# TYPE K SWITCH DRAWING



## NOTES:

3) Cover. Top drawing shows normal Type K switch mounting. Bottom drawing shows reverse Type K switch mounting.

# TYPE K SWITCH DRAWING



## NOTES:

- Drawing on the left shows a Type B interlock with Type K switch.
- Drawing on the right shows a Type F interlock with Type K switch.

# TYPE K SWITCH ORDERING GUIDE

To order the K switch option, see the ordering guide for the specific type of interlock you are ordering and indicate the switch option in the appropriate field.

Auxiliary switches cannot be field installed on existing KIRK® interlocks.