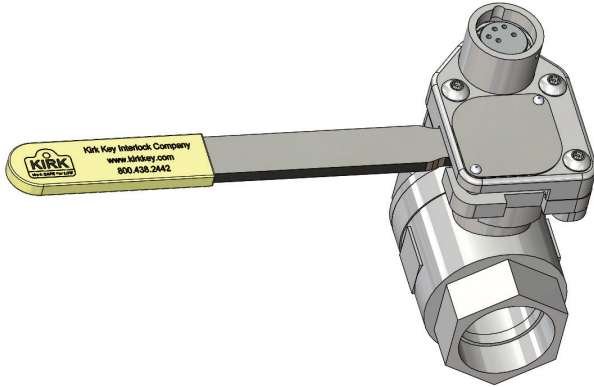


Type VL Valve Lock



Part of the
Sentric Group



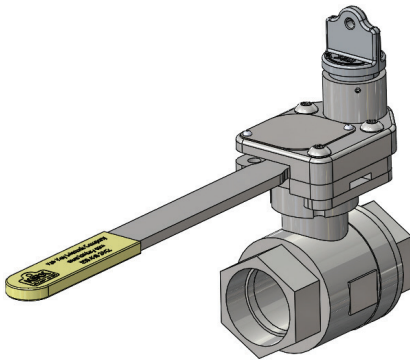
KIRK Type VL interlock is a key operated mechanical interlock that is suitable for the control and isolation of hazardous fluids or gases when performing maintenance on equipment. The standard unit comes pre-installed on a stainless steel 1/4-turn ball valve and is ready for on-site installation. The lock is manufactured of stainless steel and the operation of the valve is lever controlled.

OPERATION

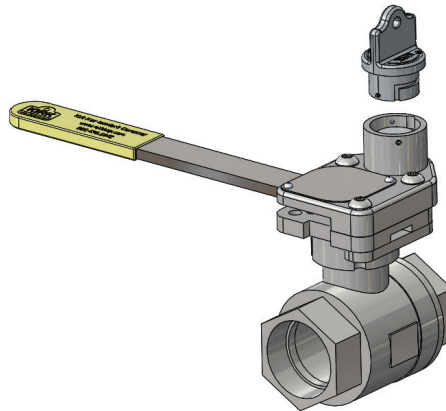
KIRK Type VL interlocks are mechanically operated and suitable for the control of hazardous fluids or gases during maintenance of equipment

Type VL key operated mechanical isolation interlock

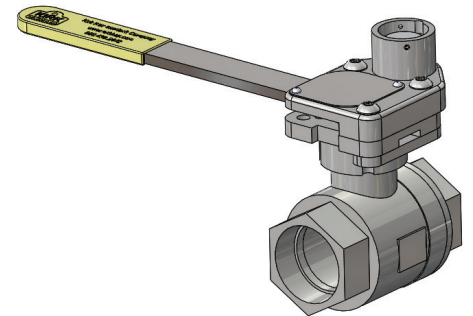
1 Key is trapped, valve is open.



2 Turn the valve handle, closing the valve, turn the key and release key.



3 The interlock is now locked in the desired valve position and key is free to move to the next sequential interlock in the safety process.



Type VL Valve Lock



Part of the
Sentric Group

USAGE

KIRK Type VL valve interlocks should be used on equipment as a physical barrier to the functioning of the valve. KIRK valve interlocks ensure that once the valve is switched into the desired position as defined by the end user's safety process and following the operations of the interlock, the flow is now blocked from changing state until the procedure is reversed.

No hazardous substances were used in the manufacturing of the product. The product can be disposed of in standard waste receptacles.

INSTALLATION

KIRK Type VL is sold completely assembled with a stainless steel 1/4-turn ball valve and is ready for on-site installation. Valve size is specified by customer at time of ordering.

On-site Installation of the valve, with the interlock pre-installed from KIRK, should follow valve manufacturer's specified guidelines and plumbing standards and regulations.

HD series (stainless steel) interlocks are not sold with keys. Keys must be ordered separately and may be required during the installation process.



For all interlock systems to maintain system integrity, additional keys must be removed from the system and destroyed or retained by a responsible person. There should only be enough keys to operate the interlock system sequentially. Kirk Key Interlock Company will not be responsible for extra keys left in the interlock system.



All interlocks and interlock systems must be installed by a competent and qualified person who has read and understood these instructions. Please retain this document in your technical files.

MAINTENANCE

Kirk key interlocks should be periodically lubricated with a small amount of dry powder graphite. DO NOT use oil or grease of any type as these will collect dirt and impede the proper operation of the lock cylinder.

HD SERIES: Apply a small amount of graphite behind the inner turn shaft. Insert and turn the key a few times in order to distribute the graphite below the lock cylinder.

KIRK offers a Graphite Lubrication kit (part# GL-1) complete with instructions for use.

Protective covers for most products are also available as accessories. Covers can be utilized to protect the lock cylinders when located outdoors or in a demanding environment.

Type VL Valve Lock



Part of the
Sentric Group

TECHNICAL DATA

Type VL	HD Series
Interlock Housing	Stainless Steel
Cylinder Housing	Stainless Steel
Inner Turn Shaft	Stainless Steel
Key Material	Stainless Steel
Key Style	Dowel Pin
Temperature Ratings (interlock only)	-65F to +700F
Type of Mounting	Type VL is pre-installed to the valve stem of a 1/4-turn ball valve.
Weight	7.6 pounds
PSIG Rating (valve)	1000 CWP

* Weight based on 1 cylinder, VL interlock installed on a 1 1/2" valve

* For more specific technical information on valve, valve manufacturer's data sheet can be provided

APPLICATION

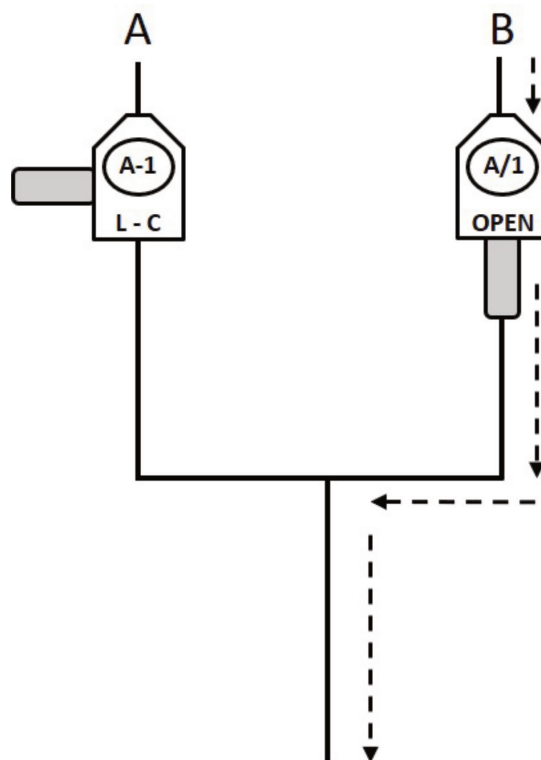
The Type VL interlocks are used as part of a safety system suitable for flow control of air power or liquids.

The interlock application to the right is to prevent the opening of valve A while valve B is open.

Initial system status: Valve B is open and flow is running through. Key A-1 is trapped in valve interlock B. Valve A is locked closed.

To begin, turn handle on valve interlock B clockwise 90 degrees to the closed position. Turn key A-1 in valve interlock B to release key. Valve B is now locked closed.

Insert key A-1 into valve A interlock and turn. Turn handle on valve A interlock 90 degrees counter clockwise to open valve A. Key A-1 is now trapped in valve interlock A and flow is through valve A.



Type VL Valve Lock

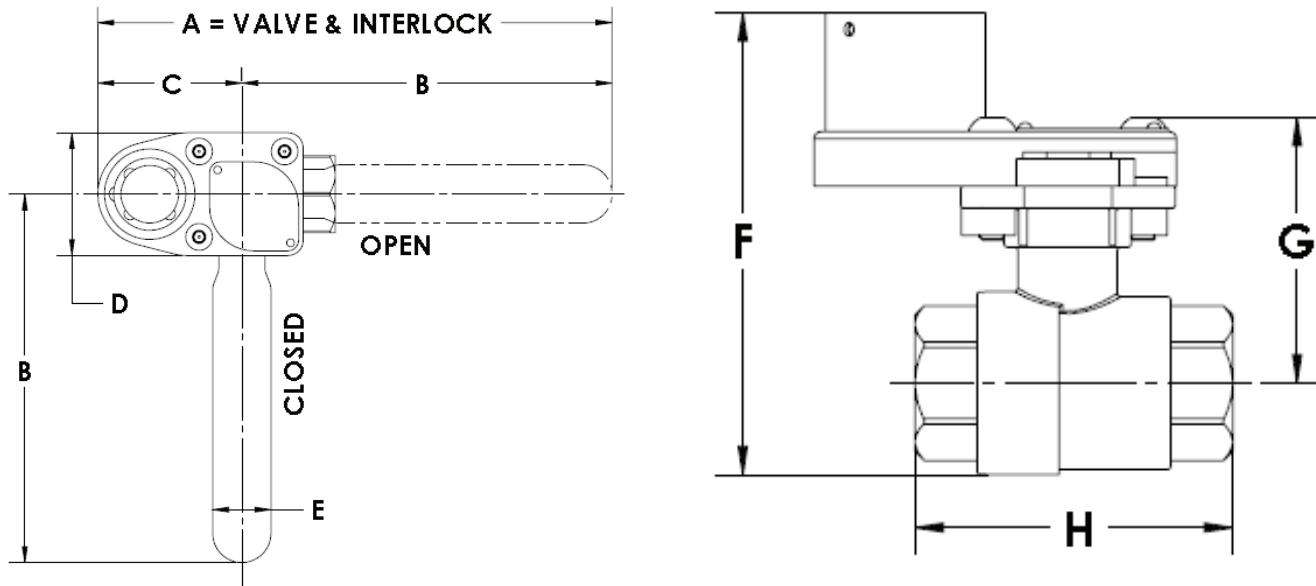


Part of the
Sentric Group

DRAWING

Dimensions: in inches

HD Series Type VL 1-Cylinder



Single Cylinder VL Interlocks

SIZE	A	B	C	D	E	F	G	H
0.250	8.35	6.00	2.35	2.00	0.95	3.86	2.16	2.56
0.375	8.35	6.00	2.35	2.00	0.95	3.86	2.16	2.56
0.750	8.35	6.00	2.35	2.00	0.95	3.86	2.16	2.56
0.500	8.35	6.00	2.35	2.00	0.95	4.27	2.45	2.94
1.000	10.35	8.00	2.35	2.00	0.95	4.87	2.87	3.46
1.250	10.35	8.00	2.35	2.00	0.95	5.24	3.03	4.02
1.500	12.44	10.00	2.44	2.76	0.95	6.10	3.85	4.33
2.000	12.44	10.00	2.44	2.76	0.95	6.72	4.14	4.92
2.500	15.16	12.00	2.77	3.65	0.95	8.28	5.38	6.32
3.000	15.51	12.00	2.77	3.65	0.95	8.97	5.70	7.01
4.000	16.73	12.00	2.77	3.65	0.95	10.82	6.33	9.45

Type VL Valve Lock

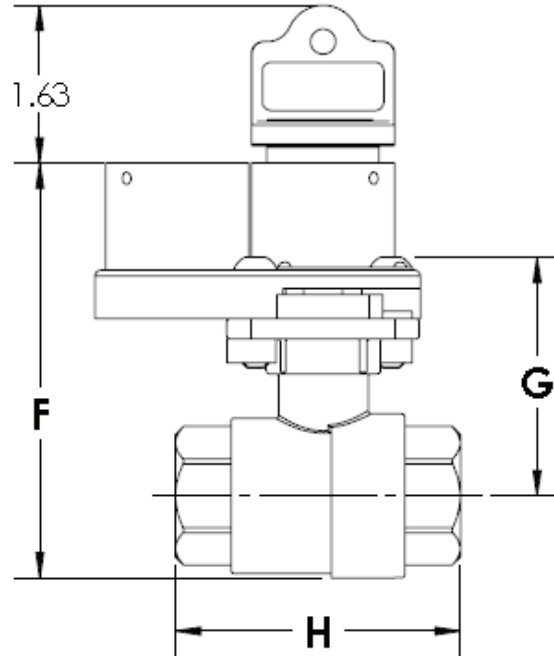
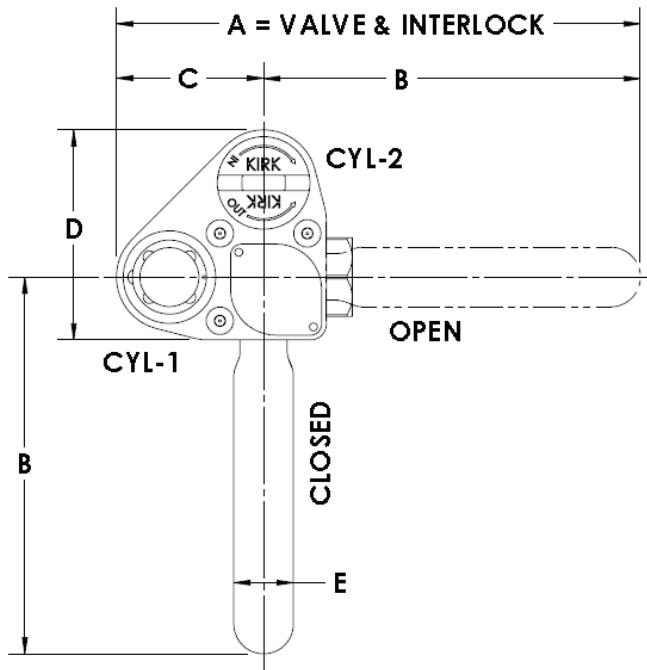


Part of the
Sentric Group

DRAWING

Dimensions: in inches

HD Series Type VL 2-Cylinder



Single Cylinder VL Interlocks

SIZE	A	B	C	D	E	F	G	H
0.250	8.35	6.00	2.35	3.35	0.95	3.86	2.16	2.56
0.375	8.35	6.00	2.35	3.35	0.95	3.86	2.16	2.56
0.750	8.35	6.00	2.35	3.35	0.95	3.86	2.16	2.56
0.500	8.35	6.00	2.35	3.35	0.95	4.27	2.45	2.94
1.000	10.35	8.00	2.35	3.35	0.95	4.87	2.87	3.46
1.250	10.35	8.00	2.35	3.35	0.95	5.24	3.03	4.02
1.500	12.44	10.00	2.44	3.82	0.95	6.10	3.85	4.33
2.000	12.44	10.00	2.44	3.82	0.95	6.72	4.14	4.92
2.500	15.16	12.00	2.77	4.59	0.95	8.28	5.38	6.32
3.000	15.51	12.00	2.77	4.59	0.95	8.97	5.70	7.01
4.000	16.73	12.00	2.77	4.59	0.95	10.82	6.33	9.45

Type VL Valve Lock



Part of the
Sentric Group

ORDER INFORMATION

	1	2	3	4	5	6	7	8	9	10	11	12
Part number	V	L	S	-			-					

1,2	Type of Lock	VL = Valve Lock			
3	Series	S = Stainless			
5	Cylinders	1 = 1 cylinder		2 = 2 cylinders	
6	Key Removable Position Standard operation is key removable lock closed	C = Closed		O = Open	
		‘C’ or ‘O’ designation applies to cylinder 1 on the dual cylinder valve lock. See diagram for details.			
8, 9, 10	Valve Sizes Available 0.25", 0.375", 0.50", 0.75", 1.00", 1.25", 1.50", 2.00", 2.50", 3.00", 4.00"	025	037	050	075
		100	125	150	
		200	250		
		300	400		
11	Stamp Key Interchange max. 5 alphanumeric characters	-- = No S = Yes		Stamp Key interchange only available when protective Flip Open Cover is added	
12	Protective Covers see protective covers data sheet	-- = No		F = Flip Open with LOTO provisionw	

CONTACT INFORMATION

The Kirk Key Interlock Company LLC

9048 Meridian Circle NW North Canton, OH 44720, USA

Toll Free: +1 800-438-2442 | O: +1 234-209-9301 | F: +1 330-497-4400

Quotes & Inquiries: sales@kirkkey.com | PO Submission & Orders: orders@kirkkey.com